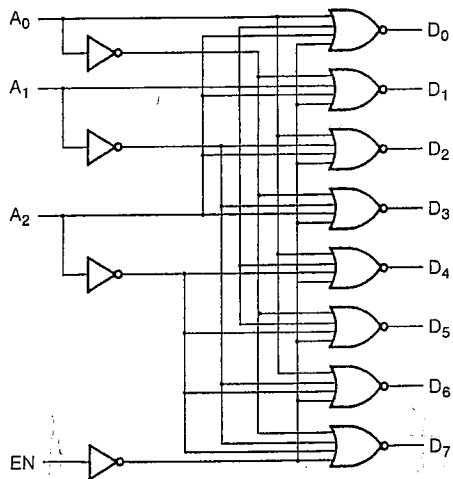


4-9.



4-23.

X	Y	$C_{in}$	S	C	
0	0	0	0	0	$S = C_{in}$
0	0	1	1	0	$C = 0$
0	1	0	1	0	$S = \overline{C_{in}}$
0	1	1	0	1	$C = C_{in}$
1	0	0	1	0	$S = \overline{C_{in}}$
1	0	1	0	1	$C = C_{in}$
1	1	0	0	1	$S = C_{in}$
1	1	1	1	1	$C = 1$

